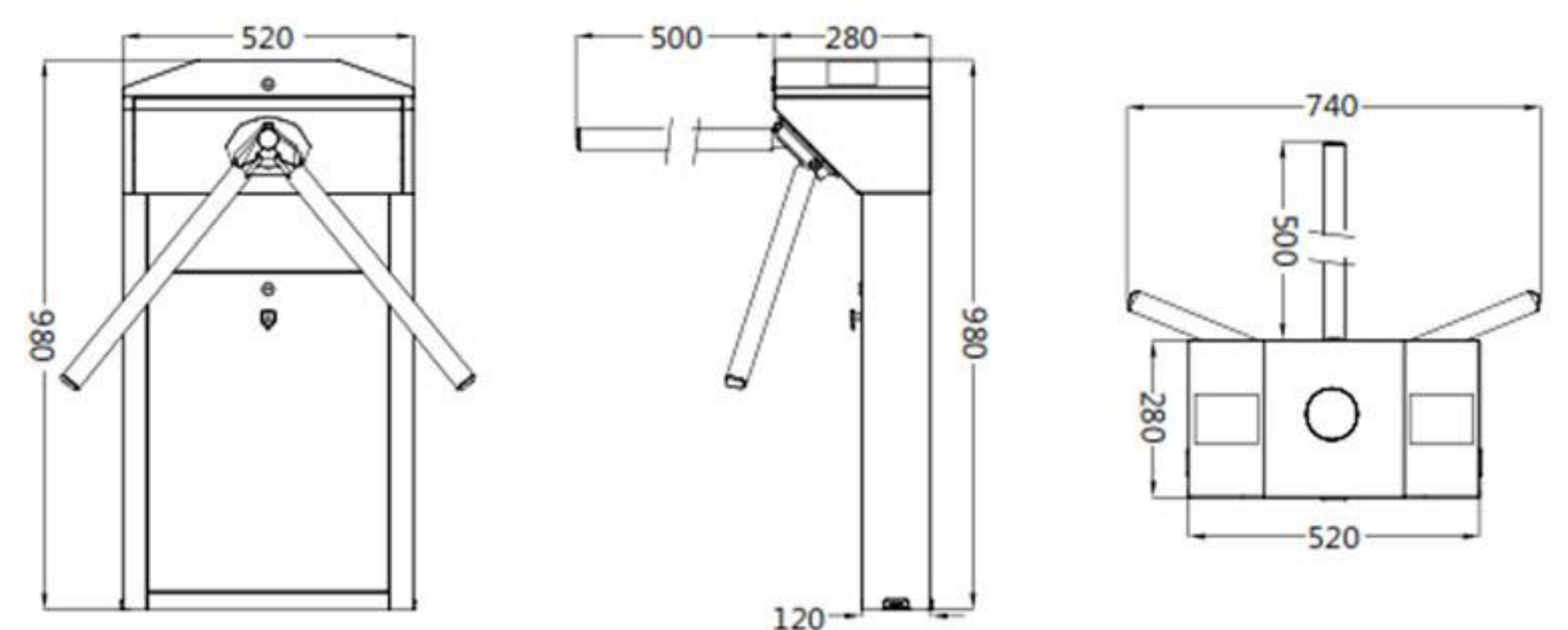


Vertical type - TS1000 series:

TS1000	TS1011	TS1022
Tripod Turnstile	RFID	FP + RFID

Dimension : All units in mm



➔ TS1022: Tripod Turnstile with Controller and Fingerprint Reader with RFID function

Type : Vertical Tripod

Arm Length : 50cm

Max tolerance of Arms : 80 Kg

Angle per rotation : 120 Degree

Operation Type : Oneway - Bidirectional

Flow Rate : 25-48 passages/minute

Input control signal : Dry contact

Ingress protection Degree : IP54

Opening Duration : 5s - 60s

Primary controller (Inbuilt):

CPU : 32 bit Microprocessor

Opening Signal Input : yes

Emergency Switch Input : yes

Direction Indicator Output : yes

Passing Indicator Output : Yes

Drop Arm Electromagnet Output : Yes

Secondary Controller :

Users : 30,000

Transaction storage ; 1,00,000

Integrated Controller : Inbio 260/Any access controller

Relay ; 12 V relay for lock

Support Fire Alarm : Yes

Door Sensor : Yes / Anti Passback : Yes

Reader : RFID : yes

Fingerprint : Yes

Protocol : RS485

Mifare/Proxy : Yes

Optional Interface :

Any Standalone access controller system

Eg. X990, IFACE, SC403,X7,SF101,F702 etc.

Power Supply :

SMPS - Input : AC 220V / 110V, 50Hz / 60Hz

SMPS - output : DC +24V, 5A; +12V, 3A

Dimension(mm) : L = 520, W = 280, H = 980

Gross Weight : 40kg

Operating Temperature : -28°C to +60°C

Operating Humidity : 5% - 85%

Operating Environment : Indoor & Outdoor(shelter)