

EVE P.T.

easy viewing everywhere

Wifi Network Camera



Quick Start Guide

Godrej | SECURITY SOLUTIONS

About this Manual

The Manual includes instructions for using and managing the product. Pictures, charts, images and all other information hereinafter are for description and explanation only. The information contained in the Manual is subject to change, without notice, due to firmware updates or other reasons.

Legal Disclaimer

Regarding the product with internet access, the use of product shall be wholly at your own risks. Our company shall not take any responsibilities for abnormal operation, privacy leakage or other damages resulting from cyber attack, hacker attack, virus inspection, or other internet security risks; however, our company will provide timely technical support if required. Surveillance laws vary by jurisdiction. Please check all relevant laws in your jurisdiction before using this product in order to ensure that your use conforms to the applicable law. You further agree that this product is only for civil use, and godrej shall not be liable in the event that this product is used with illegitimate purposes, such as third-party rights infringement, medical treatment, safety equipment or other situations where the product failure could lead to death or personal injury, or weapon of mass destruction, chemical and biological weapon, nuclear explosion, and any unsafe nuclear energy uses or anti-humanity usages. You should undertake all responsibilities for losses or damages resulting from the above usages whatsoever. In the event of any conflicts between the above and the applicable law, the later prevails.

The purpose of the Products is to provide an adequate warning in the event of illegal encroachment in certain area; however, the proper installation of the Products will not eliminate, but only reduce, that accidents will not occur or that there will be no personal injury or property loss as a result. You are highly recommended to raise your vigilance and strengthen the safety awareness in the daily life.

GODREJ does not undertake any liability for personal injury or property damage, as the result of product interruption or service termination cause by:

- a) improper installation or usage other than as requested;
- b) the protection of national or public interests;
- c) Force Majeure;
- d) yourself or the third party, including not limitation, using any third party's products, software, applications, and among others.

Regulatory Information

This device complies with Part 15 of the FCC Rules. Operation is subject to the following two conditions:

- (1) This device may not cause harmful interference, and
- (2) This device must accept any interference received, including interference that may cause undesired operation.

Note: This product has been tested and found to comply with the limits for a Class B digital device, pursuant to Part 15 of the FCC Rules. These limits are designed to provide reasonable protection against harmful interference in a residential installation. This product generates, uses, and can radiate radio frequency energy and, if not installed and used in accordance with the instructions, may cause harmful interference to radio communications. However, there is no guarantee that interference will not occur in a particular installation. If this product does cause harmful interference to radio or television reception, which can be determined by turning the equipment off and on, the user is encouraged to try to correct the interference by one or more of the following measures:

- Reorient or relocate the receiving antenna.
- Increase the separation between the equipment and receiver.
- Connect the equipment into an outlet on a circuit different from that to which the receiver is connected.
- Consult the dealer or an experienced radio/TV technician for help.

Please take attention that changes or modification not expressly approved by the party responsible for compliance could void the user's authority to operate the equipment. This equipment should be installed and operated with a minimum distance 20cm between the radiator and your body

EU Conformity Statement



This product and - if applicable - the supplied accessories too are marked with "CE" and comply therefore with the applicable harmonized European standards listed under the EMC Directive 2014/30/EU, the RoHS Directive 2011/65/EU, Radio Equipment Directive 2014/53/EU.



2012/19/EU (WEEE directive): Products marked with this symbol cannot be disposed of as unsorted municipal waste in the European Union. For proper recycling, return this product to your local supplier upon the purchase of equivalent new equipment, or dispose it of at designated collection points. For more information see: www.recyclethis.info.



2006/66/EC (battery directive): This product contains a battery that cannot be disposed of as unsorted municipal waste in the European Union. See the product documentation for specific battery information. The battery is marked with this symbol, which may include lettering to indicate cadmium (Cd), lead (Pb), or mercury (Hg). For proper recycling, return the battery to your supplier or to a designated collection point. For more information see: www.recyclethis.info.

Industry Canada ICES-003 Compliance

This device meets the CAN ICES-3 (B)/NMB-3(B) standards requirements.

This device complies with Industry Canada licence-exempt RSS standard(s). Operation is subject to the following two conditions:

- (1) this device may not cause interference, and
- (2) this device must accept any interference, including interference that may cause undesired operation of the device.

This equipment should be installed and operated with a minimum distance 20cm between the radiator and your body.



Safety Instructions

These instructions are intended to ensure that a user can use the product correctly to avoid danger or property loss.

The precaution measure is divided into "Warnings" and "Cautions"

Warnings: Serious injury or death may occur if any of the warnings are neglected.

Cautions: Injury or equipment damage may occur if any of the cautions are neglected.

	
Warnings: Follow these safeguards to prevent serious injury or death.	Cautions: Follow these precautions to prevent potential injury or material damage.



Warnings

- Proper configuration of all passwords and other security settings is the responsibility of the installer and/or end-user.
- In the use of the product, you must be in strict compliance with the electrical safety regulations of the nation and region. Please refer to technical specifications for detailed information.
- Do not connect several devices to one power adapter as adapter overload may cause over-heating or a fire hazard.
- Please make sure that the plug is firmly connected to the power socket. When the product is mounted on wall or ceiling, the device shall be firmly fixed.
- If smoke, odor, or noise rise from the device, turn off the power at once and unplug the power cable, and contact the service center.

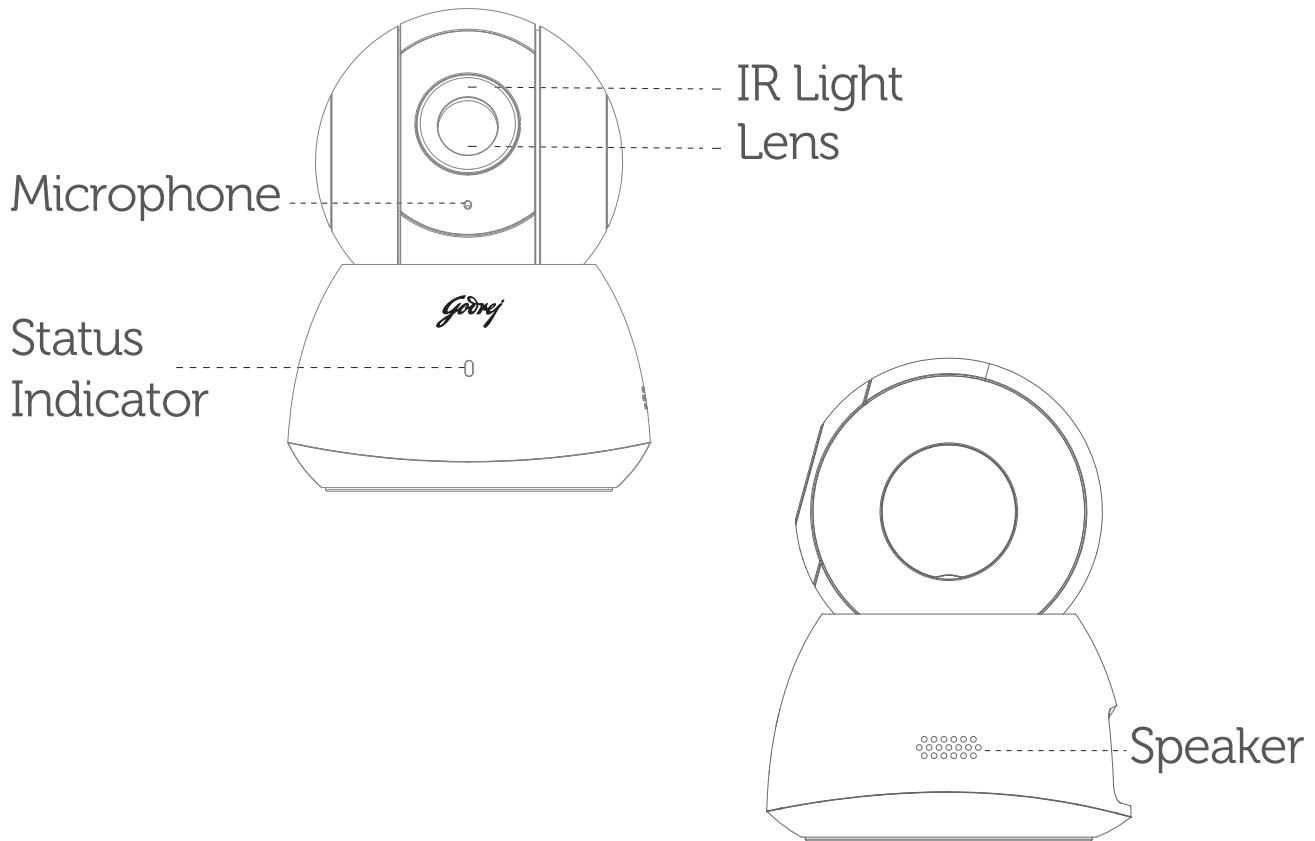


Cautions

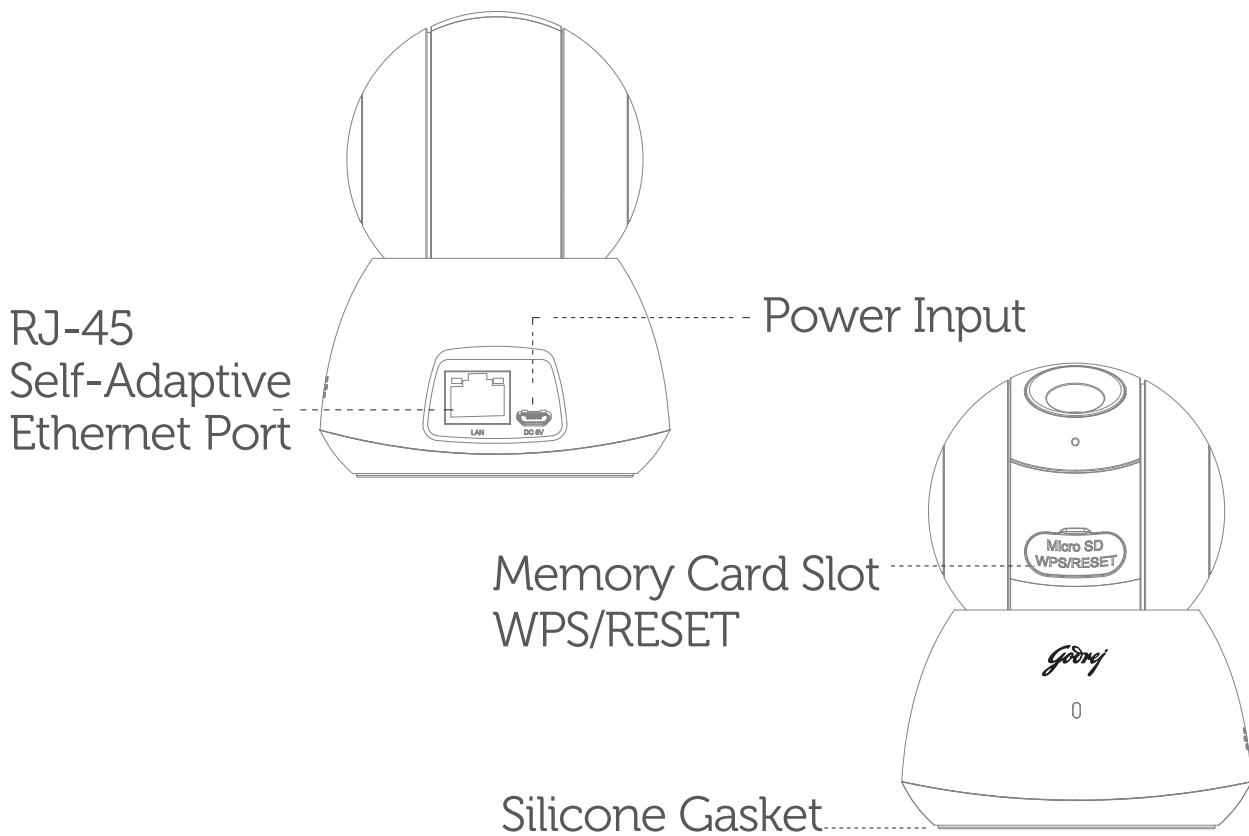
Make sure the power supply voltage is correct before using the camera.

- Do not drop the camera or subject it to physical shock.
- Do not touch sensor modules with fingers. If cleaning is necessary, use a clean cloth with a bit of ethanol and wipe it gently. If the camera will not be used for an extended period, replace the lens cap to protect the sensor from dirt.
- Do not aim the camera at the sun or extra bright places. Blooming or smearing may occur (which is not a malfunction), and affect the sensor's endurance at the same time.
- The sensor may be burned out by a laser beam, so when any laser equipment is in use, make sure that the surface of sensor will not be exposed to the laser beam.
- Do not place the camera in extremely hot, cold (the operating temperature shall be -10°C to $+40^{\circ}\text{C}$), dusty, or damp locations, and do not expose it to high electromagnetic radiation.
- To avoid heat accumulation, ensure that there is good ventilation to the device.
- Keep the camera away from liquids.
- While in delivery, pack the camera in its original, or equivalent, packing, packing materials. Or packing of the same texture.
- Regular part replacement: a few parts (e.g. electrolytic capacitor) of the equipment shall be replaced regularly according to their average endurance. The average time varies because of differences between operating environments and usage history, so regular checking is recommended for all users. Please contact your dealer for more details.
- Improper use or replacement of the battery may result in hazard of explosion. Replace with the same or equivalent type only. Dispose of used batteries according to the instructions provided by the battery manufacturer.
- If the product does not work properly, please contact your dealer or the nearest service center. Never attempt to disassemble the camera yourself. (We shall not assume any responsibility for problems caused by unauthorized repair or maintenance.)

Appearance



Name	Description
Status Indicator	<ul style="list-style-type: none"> ▪ Steady red: The camera is starting up. ▪ Flashing blue: The camera is started, and is ready for Wi-Fi set-up. ▪ Steady blue: Wi-Fi configuration is completed and the camera is running properly. ▪ Flashing red: network communication is abnormal.
IR Light	Auto light source for night vision. The light is behind the anti-reflection panel. You can see the light when it is on.

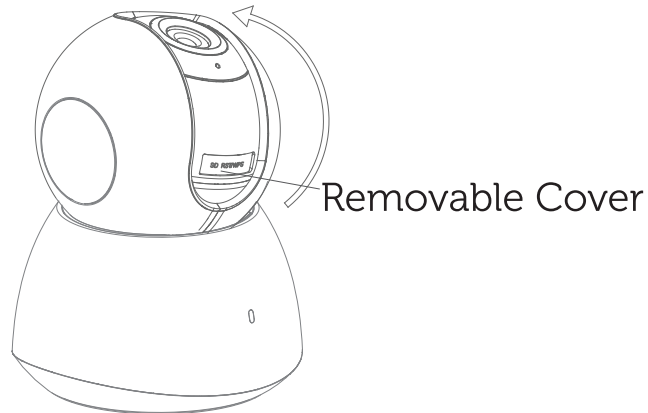


Name	Description
Power Input	Micro USB for power supply, 5V $\overline{\text{---}}$. Plug the power cable into the power input interface to power on the camera.
Memory Card Slot	For microSD card. If a memory card is used, video files will be stored in the memory card. You would need to initialize it in the Guarding Vision app.
WPS/RESET	WPS: Set Wi-Fi connection via WPS (Wi-Fi Protected Setup) function. RESET: Hold down the button for 4 seconds when the camera is running.

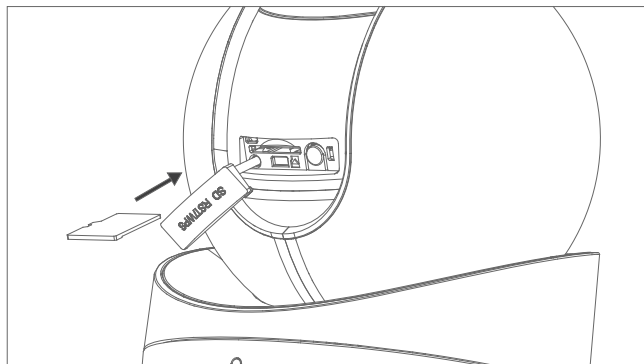
Installation

1 Install memory card (optional).

- 1 Adjust the tilting position of the camera to expose the removable cover.



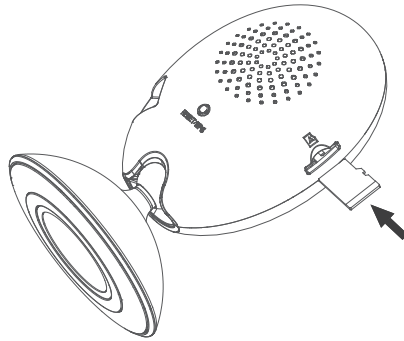
- 2 Open the cover to expose the memory card slot, and insert the memory card.



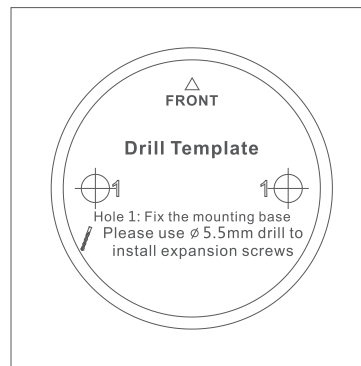
- 3 Install the removable cover back.

Installation

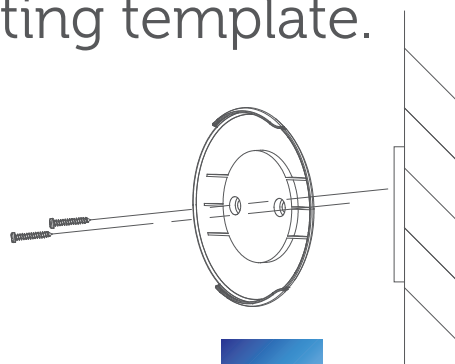
- 1 Install memory card (optional).
Insert the memory card into the card slot on the side of the camera, as shown below. The camera supports memory card upto 128 GB



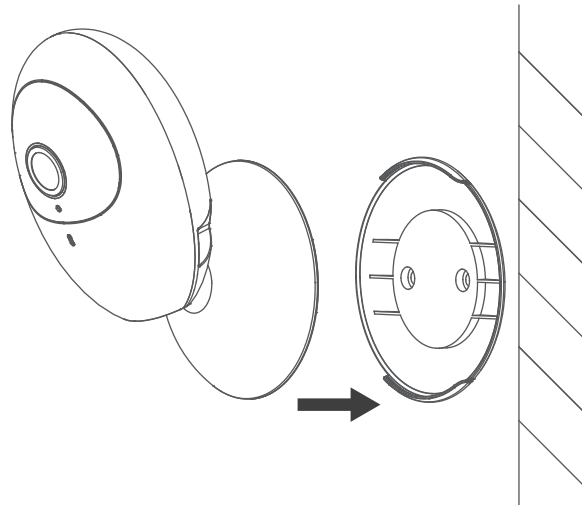
- 2 Install the camera.
 - 1 Paste the mounting template onto the installation surface. Drill and insert screws in the position shown in the template



- 2 Fix the mounting base to the installation position according to the holes on the mounting template.

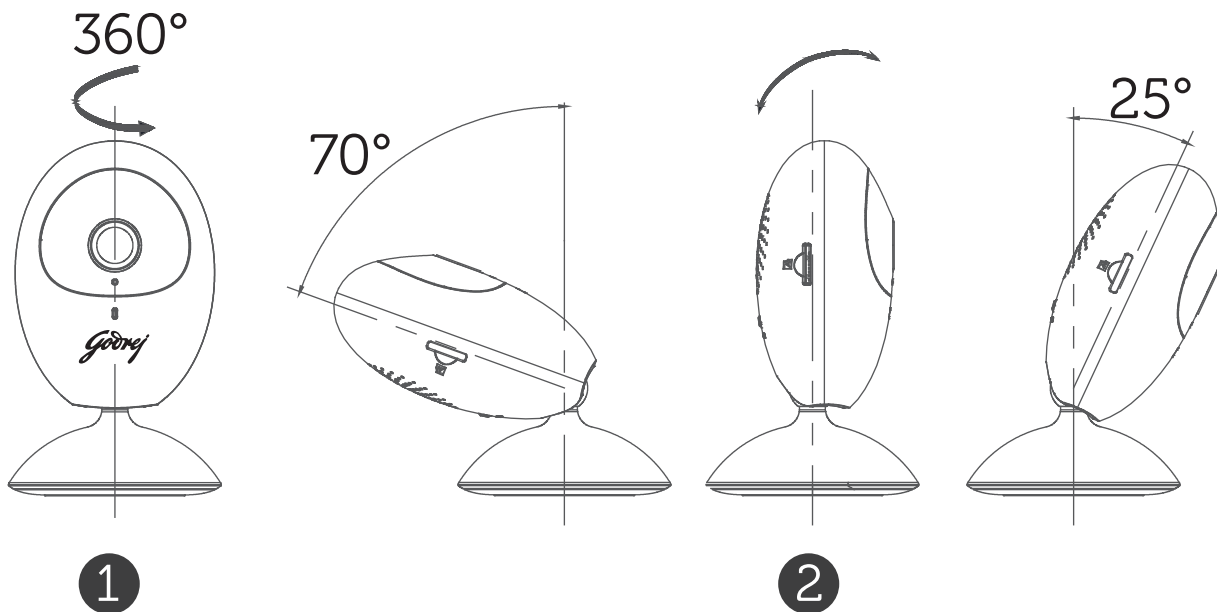


- 3 Line up and wedge the lower edge of the camera base with the mounting base and then push the camera to the mounting base to secure it.



3 Adjust the View.

- 1 Rotate the camera body to adjust the camera view.
- 2 Pull and push the camera body to adjust it to the desired tilting position.

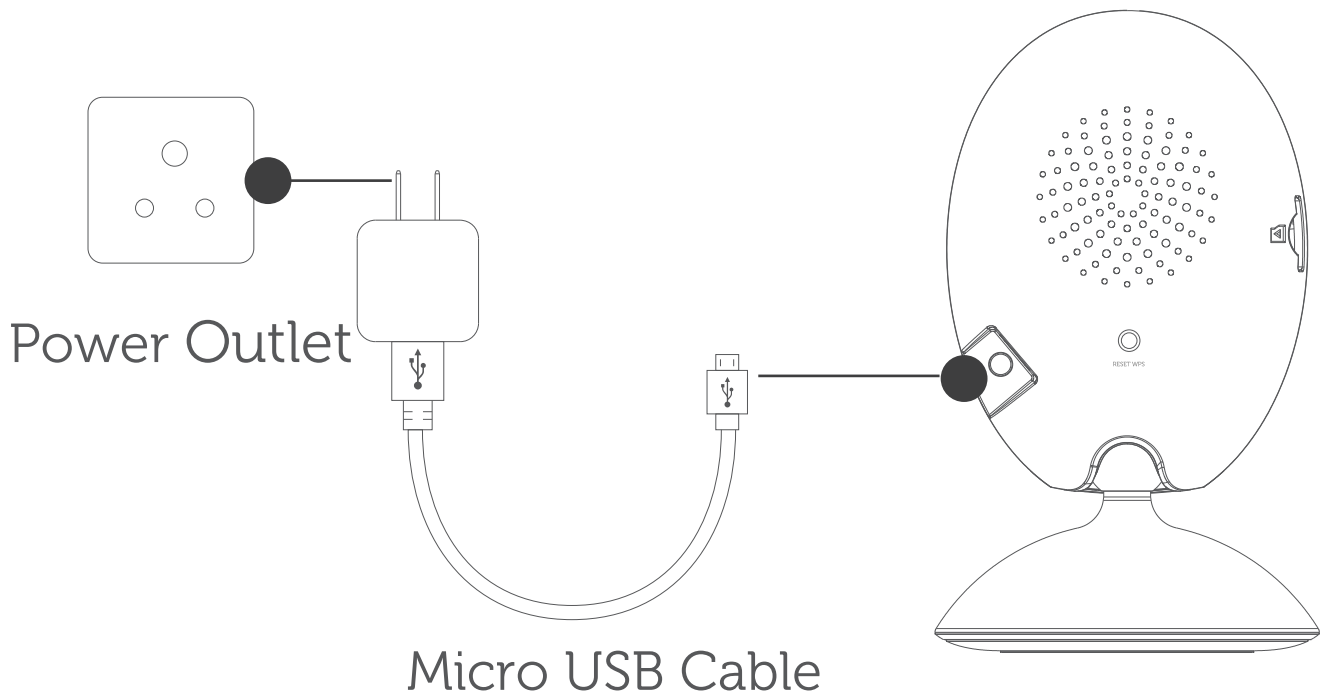


Operations

Step 1

Power on the Camera

Connect the camera to the power adapter with the Micro USB cable, and then plug the power adapter into the power outlet. When the blue light flashes, the camera is powered on. You can set the Wi-Fi connection.



Step 2

Godrej EVE app Setup

- Connect your mobile device to Wi-Fi.
- Download and install the Godrej EVE app from App Store (for iOS) or Google Play™ (for android).



OR



- Launch the app and register for a new account. Follow the onscreen instruction to complete registration process.

Step 3

Add the Camera to Your Godrej EVE Account

Note: Start the adding process only when the indicator flashes blue.

- Connect your mobile phone to a Wi-Fi (5G Wi-Fi is not supported yet).
- Log into the Godrej EVE app.
- In the Home page, tap "+" on the upper-right corner to add a camera.
- Scan the QR code on the bottom of the camera or on the Quick Start Guide cover.
- Tap Connect to a Network button in the popup interface.
- Choose Wireless Connection to set the Wi-Fi connection.
- Input the Wi-Fi password that your mobile phone has connected to, and tap Next to start the Wi-Fi connection. (Locate the camera within 3 meters from the router.)
- Tap Add button in the next interface to finish adding.

Godrej EVE

With Godrej EVE cloud service, you can realize some certain functions of this product (including, but not limited to, live view, and remote playback), which depend on the internet and telecom value-added services. To learn more about these functions, visit the Godrej EVE website www.eve.godrejsecure.com and register for a new account.



Live View

Launch the Godrej EVE app and you can get the live view of the connected devices.

Recording

- Check the microSD card status by tapping on the Storage Status in the Device Settings interface.
- If the microSD card status displays as Uninitialized, tap to initialize it. The status will then change to Normal. You can then start recording any event triggered video in the camera such as motion detection.

Playback

Launch the Godrej EVE app, tap a connected device and tap Gallery button to play back.

Alarm Notification

Launch the Godrej EVE app and tap Message to see the alarm messages.