



### Key features

- 1080P, 1/2.7" CMOS Sensor
- AHD / TVI / CVI / CVBS Output
- 3.6mm Fixed Lens
- IP66
- Housing Material: Plastic

### Features



IR-Cut Filter  
Removable



Black Light  
Compensation



Starvis



Smart IR



Digital Noise  
Reduction



Cmos Scan

## STE-FD20IR3.6P-1080P

### Camera

Image Sensor	1/2.7" CMOS Sensor
Signal System	NTSC/PAL
Effective Pixels	1920(H) x 1080(V)
Electronic Shutter	AUTO/ 1/50 (1/60) -1/50,000sec
Synchronization	Internal
Min. Illumination	0.01Lux
Video Frame Rate	PAL/NTSC: 25/30fps
Video Output	AHD / TVI / CVI / CVBS

### Camera Features

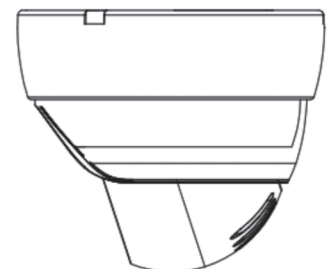
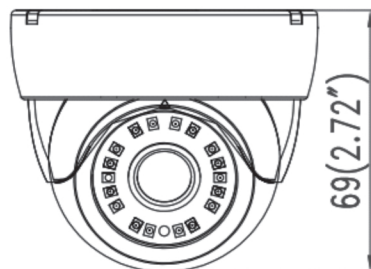
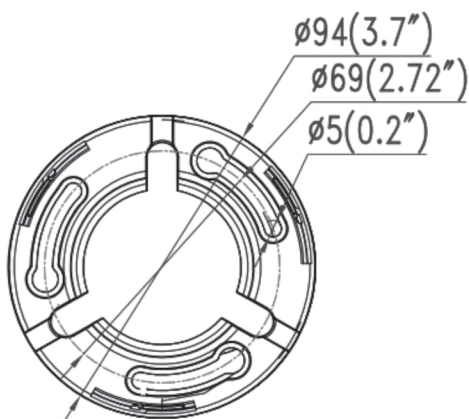
S/N Ratio	>41dB
Noise Reduction	2DNR
Day&Night	Auto
White Balance	Auto
AGC	Auto
IR LED	12PCS SMD IR
IR Range	Up to 20m

### Lens

Focal Length	3.6mm fixed lens
Lens Type	Fixed Iris
Mount Type	M12

### General

IP Rating	IP65
Casing	Plastic
Power Supply	DC12V(+/-10%)
Power Consumption	IR OFF:70mA / IR ON:190mA
Working Temperature / Humidity	-40~+60°C
Dimensions(W×D×H)	∅94x69(H)mm
Weight	215g



unit: mm (inch)