

DS-2TD2235D-25/50

Thermal & Optical Bi-spectrum Network Bullet Camera



Smart Function (Thermal Imaging)

- Smart detection: intrusion detection, line crossing detection, region entrance detection, region exiting detection, audio exception detection
- Smart recording: support edge recording
- Smart encoding: support low bitrate and SVC adaptive codec technology

IR Function

- High-performance IR array, up to 120m IR distance
- Smart IR Function
- Built-in temperature conditioner

Thermal Imaging Module Function

- 384*288 resolution, high sensitivity sensor, support contrast adjustment
- Support shutter adjustment in various modes
- 3D DNR, 14 pseudo colors adjustable, image detail enhancement
- Support mirror image
- 24/7 long-distance surveillance, 25mm and 50mm lens optional

Visible Light Module Function

- Ultra low light, high performance 1/1.8" Progressive CMOS sensor, up to 1920x1080
- Support WDR up to 120dB, 3D-DNR, auto shutter, auto Iris, slow shutter, auto white balance, backlight compensation
- Support rotate mode, suitable for environment as corridor
- Min. Illumination(color):0.002Lux @(F1.2,AGC ON); Min. Illumination(black):0.0002Lux @(F1.2,AGC ON)
- Support defogging, electronic image stabilizer(EIS)
- IR cut filter with auto switch
- Smart IR, prevent over-exposure in close distance

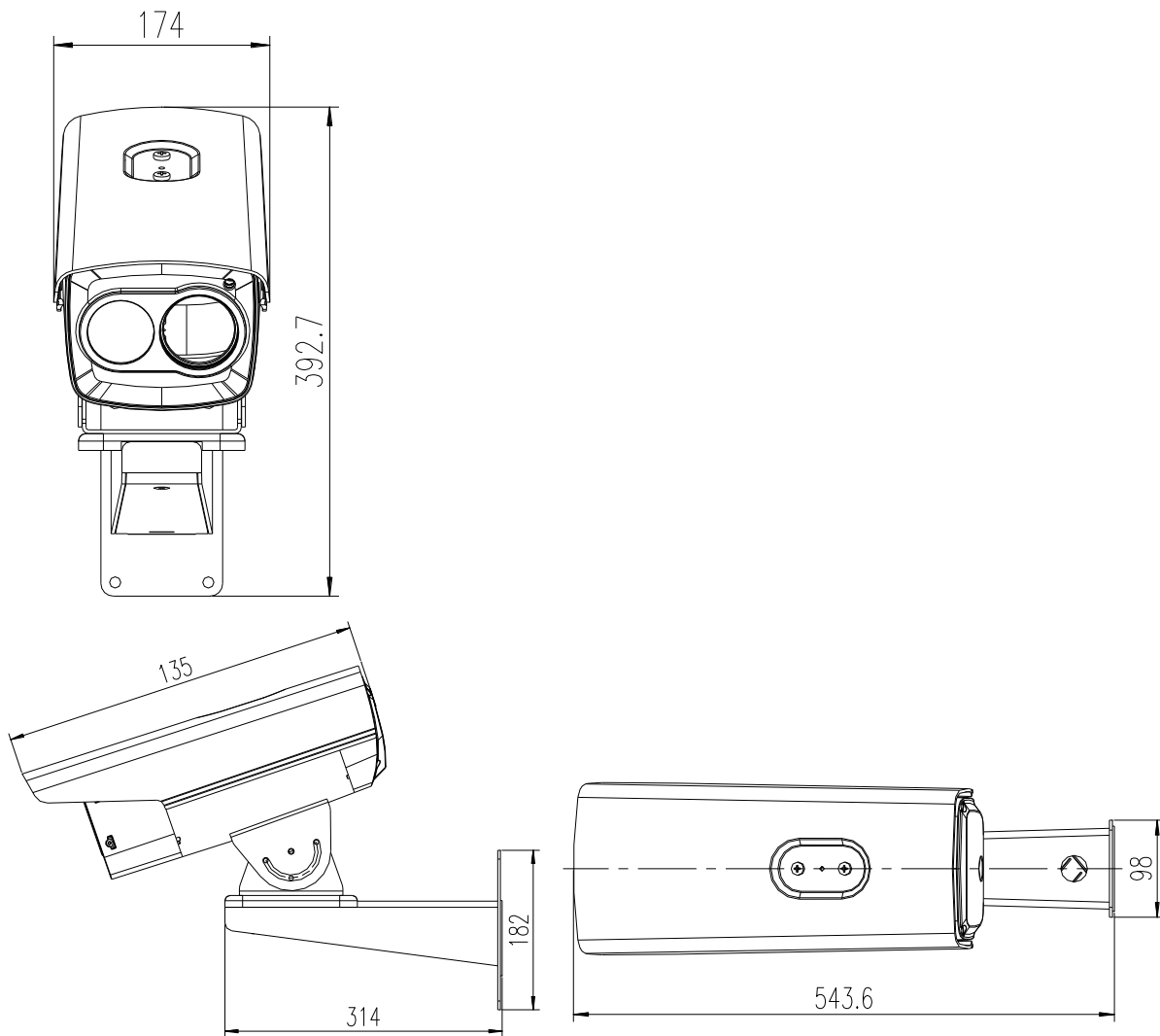


Specifications

Parameter		Model	DS-2TD2235D-25, DS-2TD2235D-50
			Thermal & Optical Bi-spectrum Network Bullet Camera
Thermal Module	Image sensor	Vanadium Oxide Uncooled Focal Plane Detectors	
	Max. Resolution	384 × 288	
	Response waveband	8~14μm	
	NETD	< 50mk(@25°C,F#=1.0)	
	Reference	Human:1.8mx0.5m	Vehicle: 1.4mx4.0m
	Lens (focal length)	25mm	50mm
	MRAD	1mrad	0.5mrad
	Detection range (Vehicles)	1533m	3067m
	Detection range (Humans)	500m	1000m
	Recognition range (Vehicles)	383m	767m
	Recognition range (Humans)	125m	250m
	Identification range (Vehicles)	192m	383m
	Identification range (Humans)	63m	125m
	Field of View	21.7x16.4°	11.0x8.2°
	Min. Focusing Distance	13 m	50 m
	F number	1.0	
Power-off memory	Support		
Optical Module	Max. image resolution	1920×1080	
	Image Sensor	1/1.8" Progressive Scan CMOS	
	Min. Illumination	Color: 0.002 Lux @ (F1.2, AGC ON), B/W: 0.0002 Lux @ (F1.2, AGC ON)	
	Focal Length	25mm	36mm
Infrared	IR distance	120m	
	IR intensity	Automatically adjusted	
	Main stream	Optical: 50Hz:25fps(1920×1080), 25fps(1280×960), 25fps(1280×720) Optical: 60Hz:30fps(1920×1080), 30fps(1280×960), 30fps(1280×720) Thermal: 25fps(384×288)	
	Sub stream	Optical: 50Hz:25fps(704×576), 25fps(352×288), 25fps(176×144) Optical: 60Hz:30fps(704×480), 30fps(352×240), 30fps(176×120) Thermal: 25fps(160×120)	
	Video compression	H.264/MJPEG/MPEG4, H.264 encoding with Baseline/Main/High Profile	
	Audio compression	G.711u/G.711a/G.722.1/MP2L2/G726/PCM	
	Protocols	IPv4/IPv6,HTTP,HTTPS,802.1x,Qos,FTP,SMTP,UPnP,SNMP,DNS,DDNS,NTP,RTSP,RTCP,RTP,TCP,UDP,IGMP,ICMP,DHCP,PPPoE,Bonjour	
	Simultaneous live view	Up to 20	
	User/Host level	Up to 32 users, 3 levels: Administrator, Operator, User	
	Security measures	User authentication (ID and PW), MAC address binding, HTTPS encryption, IEEE 802.1x access control, IP address filtering	
Integration	Alarm input	1 inputs (0-5vDC)	
	Alarm output	1 relay outputs, alarm response actions configurable	
	Alarm action	SD recording/Relay output/Smart capture/FTP upload/Email linkage	
	Audio input	1 Mic in/Line in interface. Line input: 2-2.4V[p-p], output impedance:1KΩ±10%	
	Audio output	Line level, impedance: 600Ω	
	Ethernet	1 RJ45 10M/100M Self-adaptive Ethernet interface	
	SD memory card	Built-in Micro SD card slot, support Micro SD/SDHC/SDXC card (up to 64G), support manual/alarm recording	
	RS485 protocols	Half-duplex; HIKVISION, PELCO-P, PELCO-D, self-adaptive	
	Application programming	Open-ended API, support ONVIF, PSIA, CGI, HIKVISION SDK and third-party management platform	
	Client	iVMS-4200	
Web browser	IE7+, Chrome18+, Firefox5.0+, Safari5.02+		
General	Menu language	English	
	Power	AC24V, 40W max	
	Working temperature	-40 °C to 55 °C(-40 °F to 131 °F), 90% or less	
	Humidity	IP66 TVS 6000V Lightning protection, surge protection, voltage transient protection	
	Protection level	IP66 TVS 6000V Lightning protection, surge protection, voltage transient protection	
Weight	10.5 kg (23.15 lb)		

Available Model

DS-2TD2235D-25,
DS-2TD2235D-50

Dimensions**Unit: mm**

Wide Range Coverage for Different Specifications

Note: The table below is only for reference, the performance varies from model to model, and the specific data is based on 25µm pixel space-between.

Lens (focal length)	25mm	35mm	50mm	75mm	100mm
Detection range (Vehicles)	1533mm	2147mm	3067mm	4600mm	6133mm
Detection range (Humans)	500mm	700mm	1000mm	1500mm	2000mm
Recognition range (Vehicles)	383mm	537mm	767mm	1150mm	1533mm
Recognition range (Humans)	125mm	175mm	250mm	375mm	500mm
Identification range (Vehicles)	192mm	268mm	383mm	575mm	767mm
Identification range (Humans)	63mm	88mm	125mm	188mm	250mm

Accessories



DS-1275ZJ



DS-1276ZJ



DS-1674ZJ

Distributed by



Headquarters

No.555 Qianmo Road, Binjiang District,
Hangzhou 310051, China
T +86-571-8807-5998
overseasbusiness@hikvision.com

Hikvision USA
T +1-909-895-0400
sales.usa@hikvision.com

Hikvision Europe
T +31-23-5542770
saleseuro@hikvision.com

Hikvision Middle East
T +971-4-8816086
salesme@hikvision.com

Hikvision Russia
T +7-495-669-67-99
saleru@hikvision.com

Hikvision India
T +91-22-28469900
sales@pramahikvision.com

Hikvision Italy
T +39-0438-6902
info.it@hikvision.com

Hikvision France
T +33(0)1-85-330-444
info.fr@hikvision.com

Hikvision Spain
T +34-91-737-16-55
info.es@hikvision.com

Hikvision Poland
T +48-22-460-01-50
poland@hikvision.com

Hikvision UK
T +44-1628-9021-4
support.uk@hikvision.com

Hikvision Singapore
T +65-6684-4718
sg@hikvision.com

Hikvision Oceania
T +61-2-8599-4233
salesau@hikvision.com

Hikvision Hong Kong
T +852-2151-1761

Hikvision Canada
T +1-909-895-0400
sales.usa@hikvision.com