

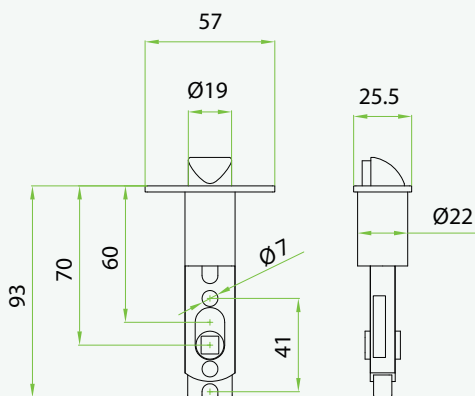


# ML10

ML10 is a smart lock with embedded fingerprint recognition technology. It is DIY design, which can replace knob lock easily and quickly. You even can do it by yourself.

## Features

- With the new generation fingerprint recognition algorithm
- Rugged, sleek and compact design
- American standard single latch for easy replacement and installation
- Independent clutch motor design under patent protection
- Idle handle design to prevent from forcible entry
- Registration data are stored even if there is power loss
- Handle, latch and strike is reversible design for all door open direction
- Capacitive sensing technology - Touch to open
- Emergency key override (concealed)
- LED indicator and inbuilt buzzer
- External terminals to draw back-up power from a 9V battery
- Low battery warning
- Normal Open mode
- Easy to program and easy to use
- Easy to install—no wiring required
- 3 user groups - Admin, Normal User and Temporary User
- Backset is 60 mm or 70mm (adjustable)



## Specifications

|                              |                                                                                          |
|------------------------------|------------------------------------------------------------------------------------------|
| <b>Material</b>              | Zinc Alloy                                                                               |
| <b>User Capacity</b>         | Admin -10<br>Normal User -60<br>Temporary User - 20                                      |
| <b>Operating Temperature</b> | -20°C - 55°C                                                                             |
| <b>Power Supply</b>          | 4xAA Alkaline Battery                                                                    |
| <b>Backup Unlocking Way</b>  | Mechanical Key & 9V Battery                                                              |
| <b>Door Thickness</b>        | 30-38 mm (optional)<br>39-46 mm (standard)<br>47-54 mm (standard)<br>55-60 mm (optional) |
| <b>Dimensions</b>            | Front - 69(W)×155(L)×35(D) mm<br>Back - 69(W)×155(L)×25(D) mm                            |

