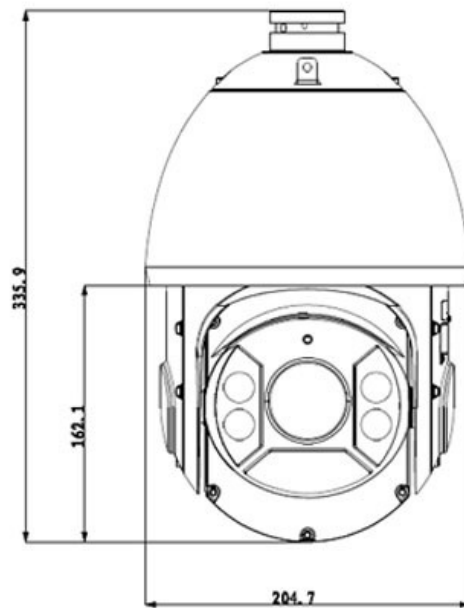


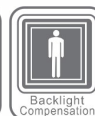
CP- UAP-SC23CL10

23x IR Speed Dome Camera



Main Features

- 1/4" High Quality Image Sensor
- High Resolution of 650 TVL
- Min. Illumination of 0.5 Lux/F1.6, 0 Lux(IR ON)
- Powerful 23x Optical Zoom
- DWDR, Day/Night (ICR), 2D-DNR, Auto iris, Auto focus, AWB, AGC, BLC
- Max 240°/s pan speed, 360° continuous pan rotation
- Up to 255 presets, 5 auto scan, 8 tour, 5 pattern
- IR Range upto 100M, IP66



CP- UAP-SC23CL10

23x IR Speed Dome Camera

Feature

Image Sensor

Pixels

Resolution

Min. Illumination

S/N Ratio

Electronic Shutter

Zoom Optical

Lens

Focus Mode

Gamma

White Balance (AWB)

Gain Control (AGC)

Back Light Comp.

Angle of View

Day & Night (ICR)

IR LED

Close Focus Distance

Special Functions

Pan Range

Pan Speed

Tilt Range

Tilt Speed

Number of Presets

Preset Speed

Speed Setup

Idle Motion

Power up Action

Time Task

Communication

Sync. System

Video Output

Power Supply

Specification

1/4" High Quality Image Sensor

976 (H) × 582(V)

650TVL

0.5 Lux/F1.6, 0 Lux(IR ON)

More than 50dB

1/50(60)s ~1/100,000s

23x

3.9 mm~89.7mm

Auto / Manual

0.45

Auto, ATW, Indoor, Outdoor, Manual

Auto / Manual

BLC

H: 53.5° ~2.6°

Auto(ICR) / Color / B/W

IR Range upto 100M

100mm~1000mm

DWDR, Day/Night (ICR), DNR (2D&3D), Auto iris,

0° ~ 360° endless

0.1° ~ 160°/s;

-15° ~ 90°, auto flip 180°

0.1° ~120°/s

255

Pan: 300°/s; Tilt:200°/s

Human-oriented focal length/ speed adaptation

Activate Preset/Pan/Scan/Tour/Pattern if there is no command in the specified period

Auto restore to previous PTZ and lens status after power failure

Auto activation of Preset/Pan/Scan/Tour/Pattern by preset-time

RS485

Interlacing

BNC(1.0Vp-p/75Ω), PAL / NTSC

AC24V/3A (±10%), DC12V optional



CP- UAP-SC23CL10

23x IR Speed Dome Camera

Feature

Power Consumption
IP Rating
Dimensions
Weight
Operating Temp

Specification

15W, 28W(IR on, Heater on)
IP66
Φ186mm×234mm
5.0kg
-40°C ~ 60°C / Less than 90% RH